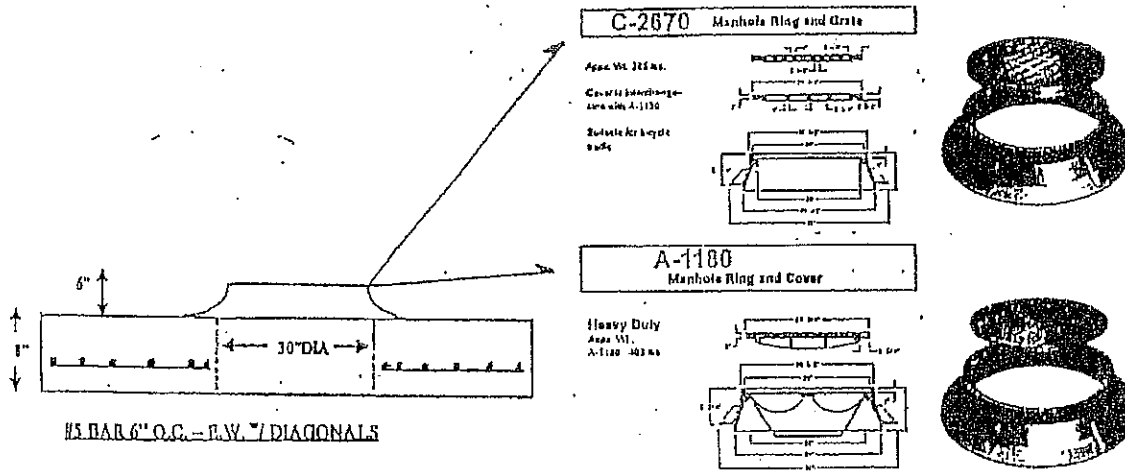


OPTIONAL DRY WELL LIDS

Dura-Crete, Inc.

Plant and Office: 1475 West 3500 South, Salt Lake City, UT 84119
 Telephone: (801) 972-6686 — Fax: (801) 972-6140



GRATING OPTIONS

1 1/2" X 1/4" BAR STD.
 2" X 1/4" BAR HEAVY

